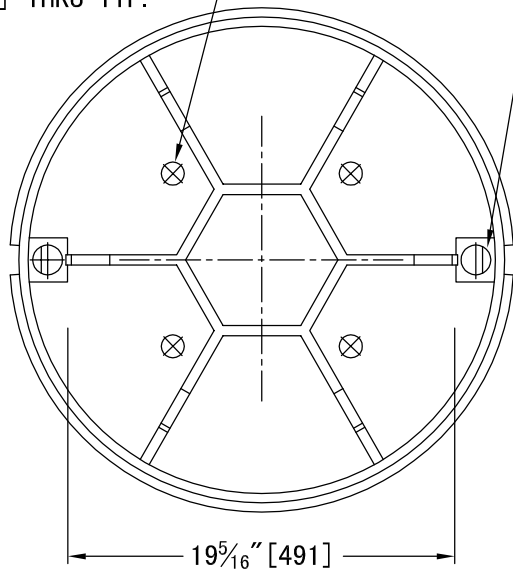
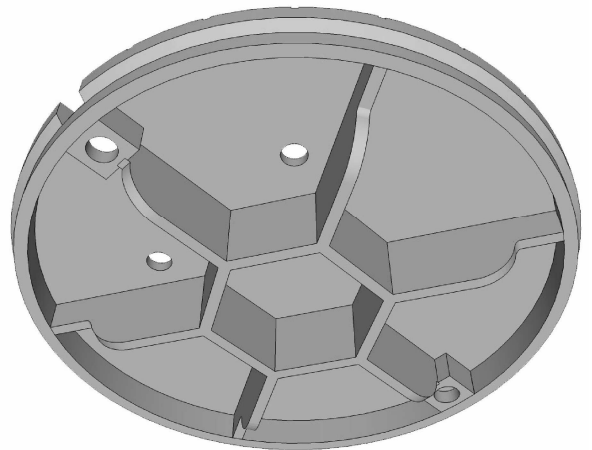


$\text{Ø}1 \frac{1}{8}'' [29]$  THRU TYP.



$\text{Ø}1 \frac{1}{2}'' [38]$  TYP.



NOTES:  
 MAT'L:ASTM A536 DUCTILE IRON 80-55-06  
 FINISH:BITUMINOUS DIP  
 LOADING:H20

WESTVIEW SALES LTD.

FLOATING MANHOLE COVER

RB80 COVER